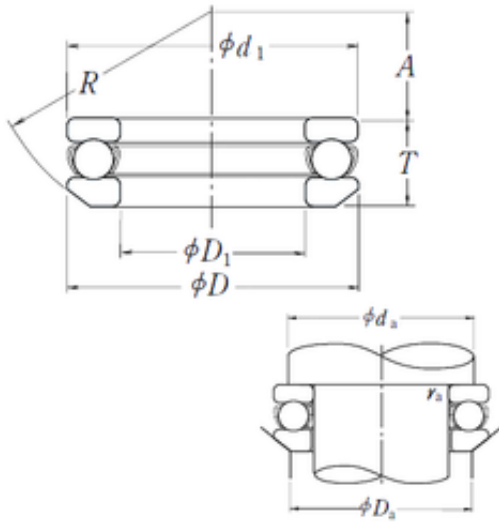




IJK BEARING COMPANY



NSK 53204 thrust ball bearings

Bearing No. 53204

Size	20x40x14.7 mm
Bore Diameter	20 mm
Outer Diameter	40 mm
Width	14,7 mm
d	20 mm
D	40 mm
T	14,7 mm
d1	40 mm
r min.	0,6 mm
A	18 mm
D1	22 mm
R	36 mm
da min.	32 mm
Da max.	28 mm
ra max.	0,6 mm
Weight	0,08 Kg
Basic dynamic load rating (C)	22,5 kN
Basic static load rating (C0)	37,5 kN
(Grease) Lubrication Speed	4300 r/min
Category	Thrust Ball Bearing
Inventory	0.0
Manufacturer Name	NSK
Minimum Buy Quantity	N/A
Weight / Kilogram	0.1
EAN	0029176029516
Product Group	B00308

53204 Bearing 2D drawings and 3D CAD models



IJK BEARING COMPANY

Rolling Element	Ball Bearing
Thrust Bearing	Yes
Single or Double Direction	Single Direction
Banded	No
Cage Material	Steel
Precision Class	Non-Precision
Component Description	Roller Assembly Plus Raceways
Other Features	Single Row With Aligning Seat
Long Description	20MM Bore 1; 22MM Bore 2; 40MM Outside Diameter; 15MM Height; Ball Bearing; Single Direction; Not Banded; Steel Cage; Non-Precision
Inch - Metric	Metric
Category	Thrust Ball Bearings
UNSPSC	31171552
Harmonized Tariff Code	8482.10.50.08
Noun	Bearing
Keyword String	Ball Thrust
Manufacturer URL	http://www.nskamericas.com
Manufacturer Item Number	53204
Weight / LBS	0.17637
Bore 1	0.787 Inch 20 Millimeter
Overall Height with Aligning Washer	0 Inch 0 Millimeter
Outside Diameter	1.575 Inch 40 Millimeter
Bore 2	0.866 Inch 22 Millimeter
Height	0.591 Inch 15 Millimeter
bore diameter:	20 mm
static load capacity:	8500 lbf
outside diameter:	40 mm



IJK BEARING COMPANY

dynamic load capacity:	5050 lbf
overall width:	17 mm
operating temperature range:	Maximum of +120 ° C
thrust bearing type:	Single-Direction
maximum rpm:	6300 rpm
outside diameter design:	Straight
cage material:	Steel Cage
separable or banded:	Separable
fillet radius:	.6 mm
race type:	Flat
series:	52300
precision rating:	ABEC1, P0
SRI	3.9
hidYobi	53204
LangID	1
D_	40
SREX	0.04
C	22.5
B_	14.7
hidTable	ecat_NSSDTB
Oil rpm	6300
SRE	3.9
mass	0.08
GRS rpm	4300
ra	0.6
SRIX	0.04
D_a	28
SRIN	0
C0	37.5
SREN	0
D_1	22
Prod_Type3	TB_SD_WAS



IJK BEARING COMPANY

da	32
DA_	7.144
Z_	12
yobi	53204
A_	18
T3	14.7
SDM_	30
r	0.6
KBRG	5121
R_	36