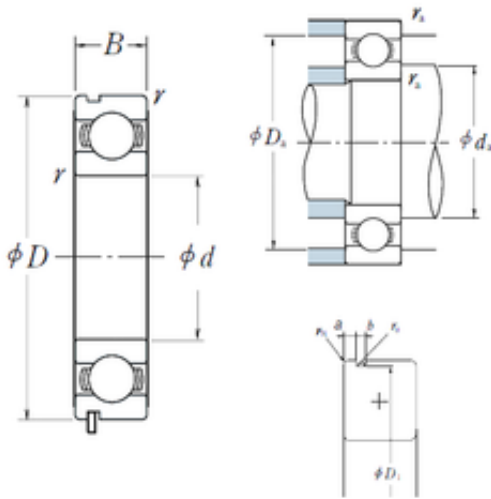




IJK BEARING COMPANY

110 mm x 170 mm x 28 mm NSK 6022N deep groove ball bearings

Bearing No. 6022N



6022N Bearing 2D drawings and 3D CAD models

Size	110x170x28 mm
Bore Diameter	110 mm
Outer Diameter	170 mm
Width	28 mm
d	110 mm
D	170 mm
B	28 mm
C	28 mm
rn	0,5 mm
a	3,71 mm
b	3,5 mm
r min.	2 mm
r0 max.	0,6 mm
D1	163,65 mm
da min.	119 mm
da max	124,5 mm
Da max.	161 mm
ra max.	2 mm
Weight	1,94 Kg
Basic dynamic load rating (C)	85 kN
Basic static load rating (C0)	73 kN
(Grease) Lubrication Speed	3 800 r/min
(Oil) Lubrication Speed	4 500 r/min
SRI	9.86
hidYobi	6022N



IJK BEARING COMPANY

LangID	1
ro	0.6
D_	170
SREX	0.04
B_	28
da min	119
hidTable	ecat_NSRDGB
Oil rpm	4500
SRE	9.86
mass	1.94
GRS rpm	3800
ra	2
SRIX	0.04
D_a	161
SRIN	-0.04
C0	73
fo	15.5
SREN	-0.04
DE_	159.05
Prod_Type3	DGBB_SR_N_OT
DA_	19.05
bomp	0
Z_	13
yobi	6022N
C_conv	85000
ALPHA_	0
SDM_	140
r	2
KBRG	6101
SBRG	10
DI_	120.95