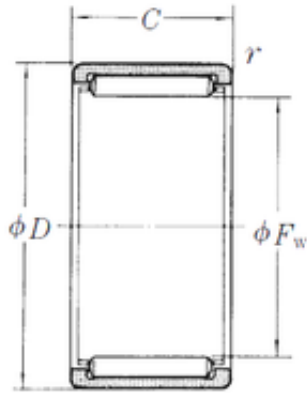




IJK BEARING COMPANY

NSK RLM5540 needle roller bearings



Bearing No. RLM5540

Size	55x65x40 mm
Bore Diameter	55 mm
Outer Diameter	65 mm
Width	40 mm
Fw	55 mm
D	65 mm
C	40 mm
r min.	0,6 mm
Weight	0,215 Kg
Basic dynamic load rating (C)	64 kN
Basic static load rating (C0)	146 kN

RLM5540 Bearing 2D drawings and 3D CAD models