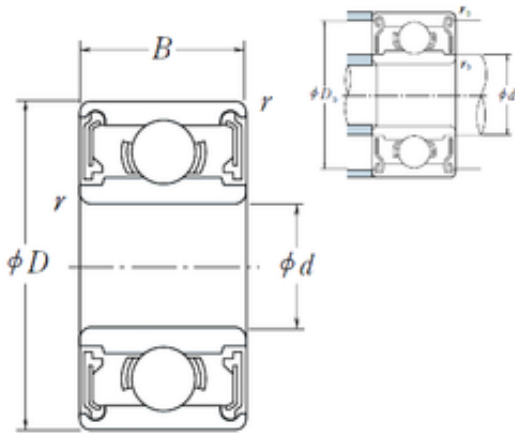




# IJK BEARING COMPANY



8 mm x 16 mm x 5 mm NSK 688 A VV deep groove ball bearings

Bearing No. 688 A VV

Size	8x16x5 mm
Bore Diameter	8 mm
Outer Diameter	16 mm
Width	5 mm
d	8 mm
D	16 mm
B	5 mm
C	5 mm
r min.	0,2 mm
db max.	10,2 mm
Db min.	14,2 mm
rb max.	0,2 mm
Weight	0,00402 Kg
Basic dynamic load rating (C)	1,61 kN
Basic static load rating (C0)	0,71 kN

688 A VV Bearing 2D drawings and 3D CAD models