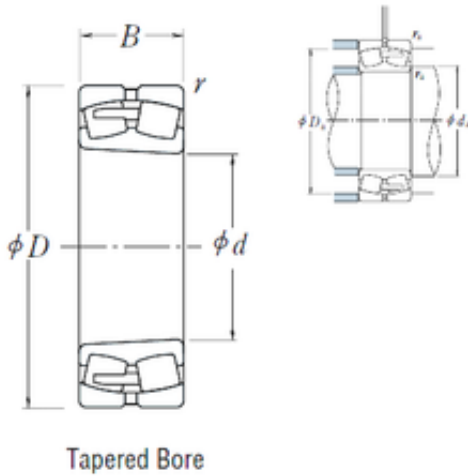




IJK BEARING COMPANY

420 mm x 620 mm x 150 mm NSK 23084CAKE4 spherical roller bearings

Bearing No. 23084CAKE4



23084CAKE4 Bearing 2D drawings and 3D CAD models

Size	420x620x150 mm
Bore Diameter	420 mm
Outer Diameter	620 mm
Width	150 mm
d	420 mm
D	620 mm
B	150 mm
C	150 mm
r min.	5 mm
da min.	442 mm
Da min	562 mm
Da max.	598 mm
ra max.	4 mm
Weight	151 Kg
Basic dynamic load rating (C)	2910 kN
Basic static load rating (C0)	5850 kN
(Grease) Lubrication Speed	450 r/min
(Oil) Lubrication Speed	560 r/min
Calculation factor (e)	0,23
Calculation factor (Y0)	2,8
Calculation factor (Y2)	4,3