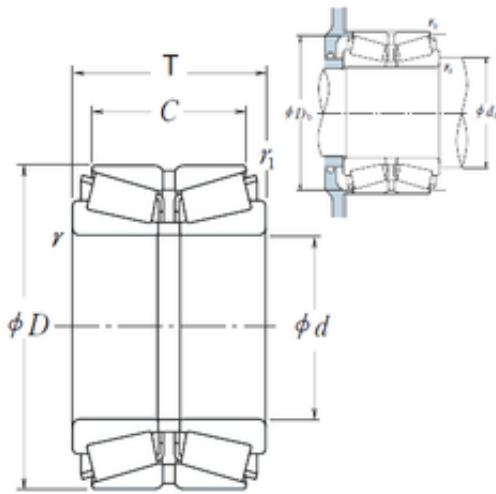




IJK BEARING COMPANY



HR85KBE52X+L Bearing 2D drawings and 3D CAD models

NSK HR85KBE52X+L tapered roller bearings

Bearing No. HR85KBE52X+L

| | |
|-------------------------------|--------------|
| Size | 85x150x86 mm |
| Bore Diameter | 85 mm |
| Outer Diameter | 150 mm |
| Width | 86 mm |
| d | 85 mm |
| D | 150 mm |
| T | 86 mm |
| C | 69 mm |
| r min. | 2,5 mm |
| r1 min. | 0,6 mm |
| da min. | 100 mm |
| Db min. | 144 mm |
| ra max. | 2 mm |
| rb max. | 0,6 mm |
| Weight | 5,7 Kg |
| Basic dynamic load rating (C) | 360 kN |
| Basic static load rating (C0) | 555 kN |
| (Grease) Lubrication Speed | 1900 r/min |
| (Oil) Lubrication Speed | 2600 r/min |
| Calculation factor (e) | 0,42 |
| Calculation factor (Y0) | 1,6 |
| Calculation factor (Y2) | 2,4 |