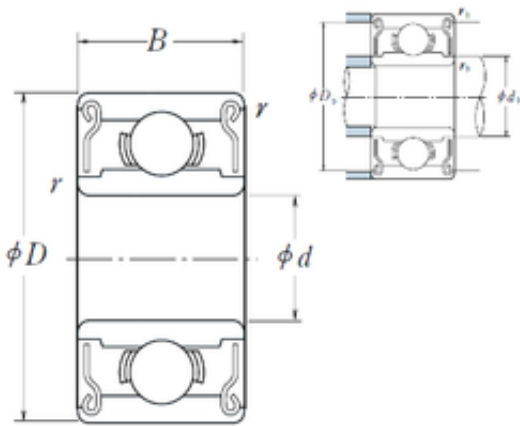




# IJK BEARING COMPANY

2 mm x 5 mm x 2,3 mm NSK 682 ZZ deep groove ball bearings

Bearing No. 682 ZZ



682 ZZ Bearing 2D drawings and 3D CAD models

Size	2x5x2.3 mm
Bore Diameter	2 mm
Outer Diameter	5 mm
Width	2,3 mm
d	2 mm
D	5 mm
B	2,3 mm
C	2,3 mm
r min.	0,08 mm
db max.	2,7 mm
Db min.	4,2 mm
rb max.	0,08 mm
Weight	0,00017 Kg
Basic dynamic load rating (C)	0,169 kN
Basic static load rating (C0)	0,05 kN