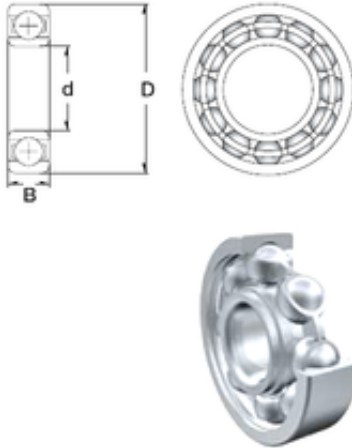




IJK BEARING COMPANY

4 mm x 9 mm x 2,5 mm ZEN 684 deep groove ball bearings



Bearing No. 684

| | |
|-------------------------------|-------------|
| Size | 4x9x2.5 mm |
| Bore Diameter | 4 mm |
| Outer Diameter | 9 mm |
| Width | 2,5 mm |
| d | 4 mm |
| D | 9 mm |
| B | 2,5 mm |
| C | 2,5 mm |
| Basic dynamic load rating (C) | 0,641 kN |
| Basic static load rating (C0) | 0,227 kN |
| (Grease) Lubrication Speed | 53000 r/min |

684 Bearing 2D drawings and 3D CAD models