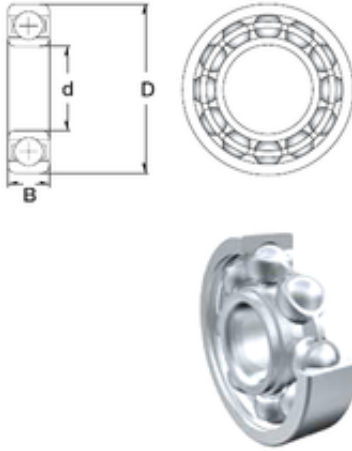




IJK BEARING COMPANY



5 mm x 10 mm x 3 mm ZEN MR105 deep groove ball bearings

Bearing No. MR105

Size	5x10x3 mm
Bore Diameter	5 mm
Outer Diameter	10 mm
Width	3 mm
d	5 mm
D	10 mm
B	3 mm
C	3 mm
Basic dynamic load rating (C)	0,431 kN
Basic static load rating (C0)	0,169 kN
(Grease) Lubrication Speed	50000 r/min

MR105 Bearing 2D drawings and 3D CAD models