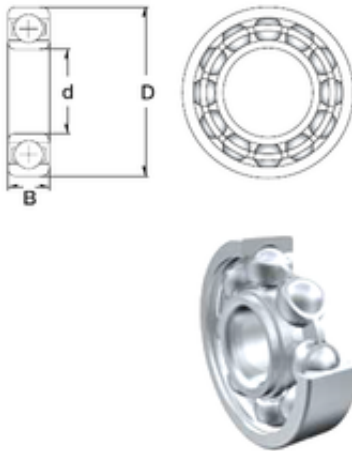




IJK BEARING COMPANY



75 mm x 190 mm x 45 mm ZEN 6415 deep groove ball bearings

Bearing No. 6415

Size	75x190x45 mm
Bore Diameter	75 mm
Outer Diameter	190 mm
Width	45 mm
d	75 mm
D	190 mm
B	45 mm
C	45 mm
Weight	6,8 Kg
Basic dynamic load rating (C)	152 kN
Basic static load rating (C0)	114 kN

6415 Bearing 2D drawings and 3D CAD models