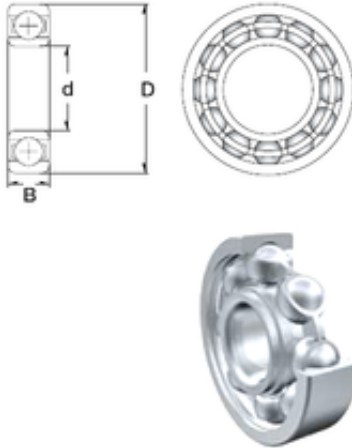




IJK BEARING COMPANY

8 mm x 16 mm x 5 mm ZEN S688W5 deep groove ball bearings



Bearing No. S688W5

| | |
|-------------------------------|-------------|
| Size | 8x16x5 mm |
| Bore Diameter | 8 mm |
| Outer Diameter | 16 mm |
| Width | 5 mm |
| d | 8 mm |
| D | 16 mm |
| B | 5 mm |
| C | 5 mm |
| Basic dynamic load rating (C) | 1,252 kN |
| Basic static load rating (C0) | 0,592 kN |
| (Grease) Lubrication Speed | 36000 r/min |

S688W5 Bearing 2D drawings and 3D CAD models