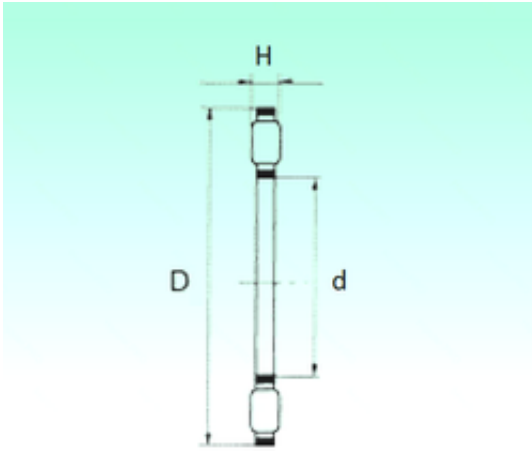




IJK BEARING COMPANY



NBS K81128TN thrust roller bearings

Bearing No. K81128TN

Bore Diameter	140 mm
Outer Diameter	180 mm
d	140 mm
D	180 mm
Dw	12 mm
Weight	0,448 Kg
Basic dynamic load rating (C)	241,8 kN
Basic static load rating (C0)	865,9 kN

K81128TN Bearing 2D drawings and 3D CAD models