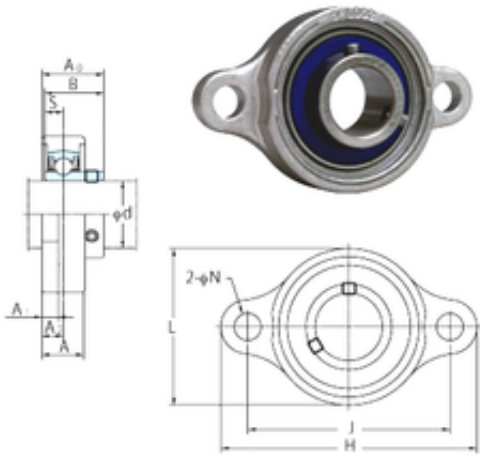




# IJK BEARING COMPANY

## FYH USFL004S6 bearing units

Bearing No. USFL004S6



USFL004S6 Bearing 2D drawings and 3D CAD models

Bore Diameter	20 mm
d	20 mm
A0	22 mm
A	16 mm
A1	6 mm
B	21 mm
H	91 mm
J	71 mm
L	53 mm
N	10 mm
S	7 mm
Bolt (G)	M8
A2	8 mm
Weight	13,9 Kg
Basic dynamic load rating (C)	0,21 kN
Basic static load rating (C0)	7,9 kN