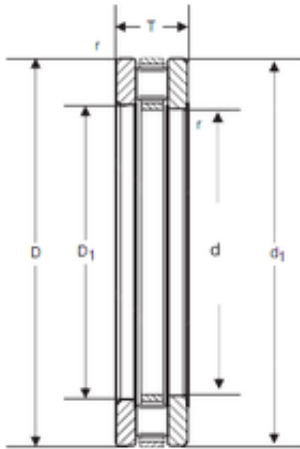




# IJK BEARING COMPANY

## SIGMA 81132 thrust roller bearings



Bearing No. 81132

Size	160x200x31 mm
Bore Diameter	160 mm
Outer Diameter	200 mm
Width	31 mm
d	160 mm
D	200 mm
T	31 mm
d1	198 mm
D1	162 mm

81132 Bearing 2D drawings and 3D CAD models