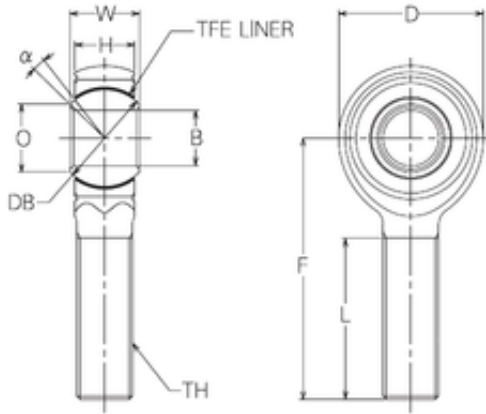




IJK BEARING COMPANY

10 mm x 26 mm x 10 mm NMB HRT10E plain bearings



Bearing No. HRT10E

Bore Diameter	10 mm
Width	10 mm
d	10 mm
Db	17,46 mm
O	12,2 mm
B	10 mm
D	26 mm
F	47 mm
H	10,75 mm
L	29 mm
W	12,5 mm
Angle	8 °
Thread (TH)	M10 x 1,5

HRT10E Bearing 2D drawings and 3D CAD models