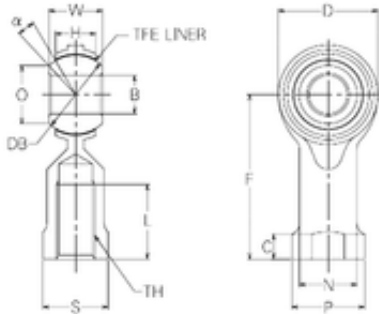




IJK BEARING COMPANY

16 mm x 38 mm x 16 mm NMB RBT16 plain bearings



Bearing No. RBT16

Bore Diameter	16 mm
d	16 mm
P	27 mm
Db	28,58 mm
O	19,4 mm
B	16 mm
C	8 mm
D	38 mm
F	64 mm
H	15 mm
L	33 mm
N	22 mm
S	22 mm
W	21 mm
Angle	15 °
Thread (TH)	M16 × 2,0
Weight	0,21 Kg
Basic static load rating (C0)	33,34 kN

RBT16 Bearing 2D drawings and 3D CAD models