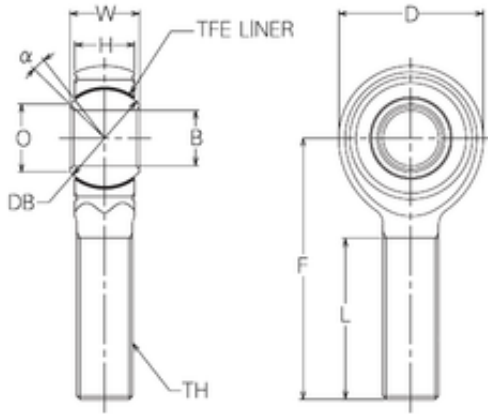




IJK BEARING COMPANY

6 mm x 20,5 mm x 6 mm NMB HRT6E plain bearings



Bearing No. HRT6E

Bore Diameter	6 mm
Width	6 mm
d	6 mm
Db	13,49 mm
O	7,8 mm
B	6 mm
D	20,5 mm
F	39,5 mm
H	8,75 mm
L	22 mm
W	11 mm
Angle	15 °
Thread (TH)	M6 x 1,0

HRT6E Bearing 2D drawings and 3D CAD models