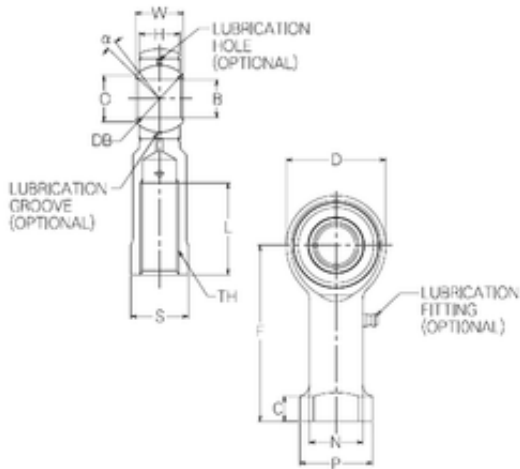




IJK BEARING COMPANY

10 mm x 26 mm x 10 mm NMB HR10 plain bearings

Bearing No. HR10



HR10 Bearing 2D drawings and 3D CAD models

Bore Diameter	10 mm
d	10 mm
P	19 mm
Db	17,46 mm
O	12,2 mm
B	10 mm
C	6,5 mm
D	26 mm
F	46 mm
H	10,75 mm
L	24 mm
N	14 mm
S	15 mm
W	12,5 mm
Angle	8 °
Thread (TH)	M10 × 1,5