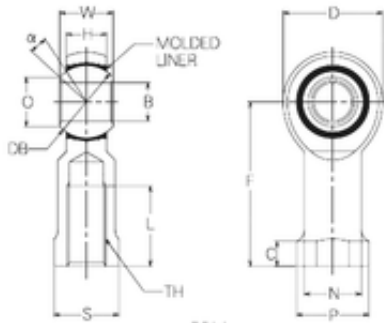




IJK BEARING COMPANY

12 mm x 30 mm x 12 mm NMB RBM12 plain bearings



Bearing No. RBM12

Bore Diameter	12 mm
d	12 mm
P	22 mm
Db	22,22 mm
O	15,4 mm
B	12 mm
C	6,5 mm
D	30 mm
F	50 mm
H	12 mm
L	24 mm
N	17,5 mm
S	19 mm
W	16 mm
Angle	13 °
Thread (TH)	M12 x 1,75
Weight	0,12 Kg
Basic static load rating (C0)	6,52 kN

RBM12 Bearing 2D drawings and 3D CAD models