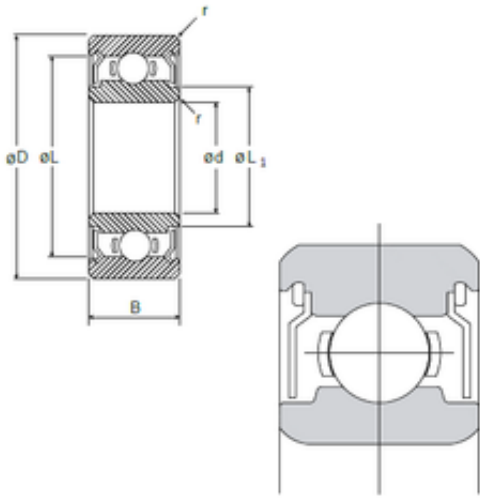




IJK BEARING COMPANY



1,984 mm x 6,35 mm x 3,571 mm NMB RI-4ZZ
deep groove ball bearings

Bearing No. RI-4ZZ

Size	1.984x6.35x3.571 mm
Bore Diameter	1,984 mm
Outer Diameter	6,35 mm
Width	3,571 mm
d	1,984 mm
D	6,35 mm
B	3,571 mm
C	3,571 mm
r min.	0,08 mm
L	0,206 mm
L1	0,122 mm
Basic dynamic load rating (C)	0,33 kN

RI-4ZZ Bearing 2D drawings and 3D CAD models