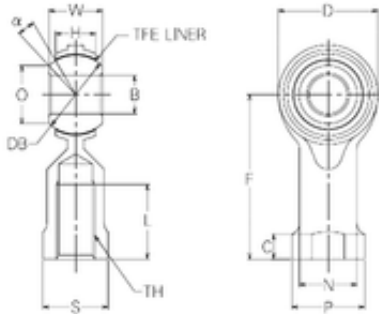




IJK BEARING COMPANY

6 mm x 18 mm x 6 mm NMB RBT6 plain bearings



Bearing No. RBT6

Bore Diameter	6 mm
d	6 mm
P	13 mm
Db	14,29 mm
O	11,1 mm
B	6 mm
C	5 mm
D	18 mm
F	30 mm
H	6,75 mm
L	13,5 mm
N	10 mm
S	11 mm
W	9 mm
Angle	10 °
Thread (TH)	M6 × 1,0
Weight	0,025 Kg
Basic static load rating (C0)	8,62 kN

RBT6 Bearing 2D drawings and 3D CAD models